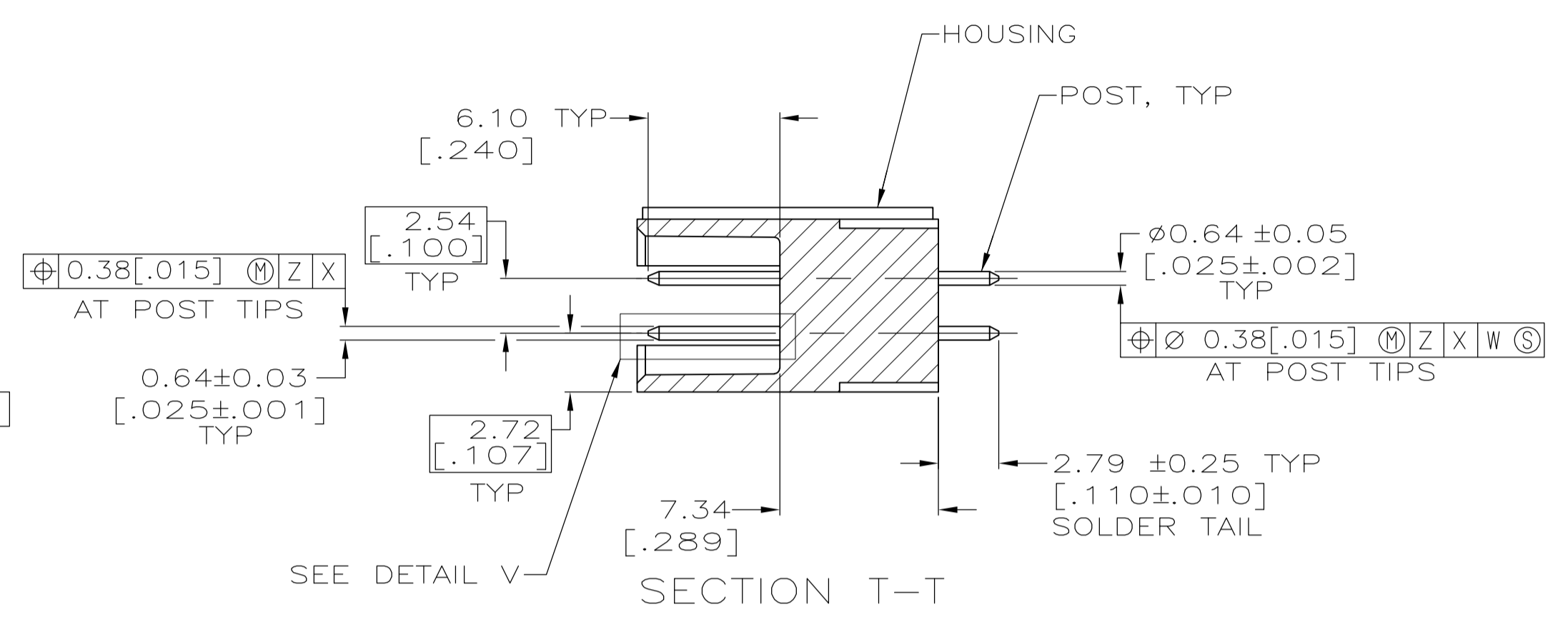
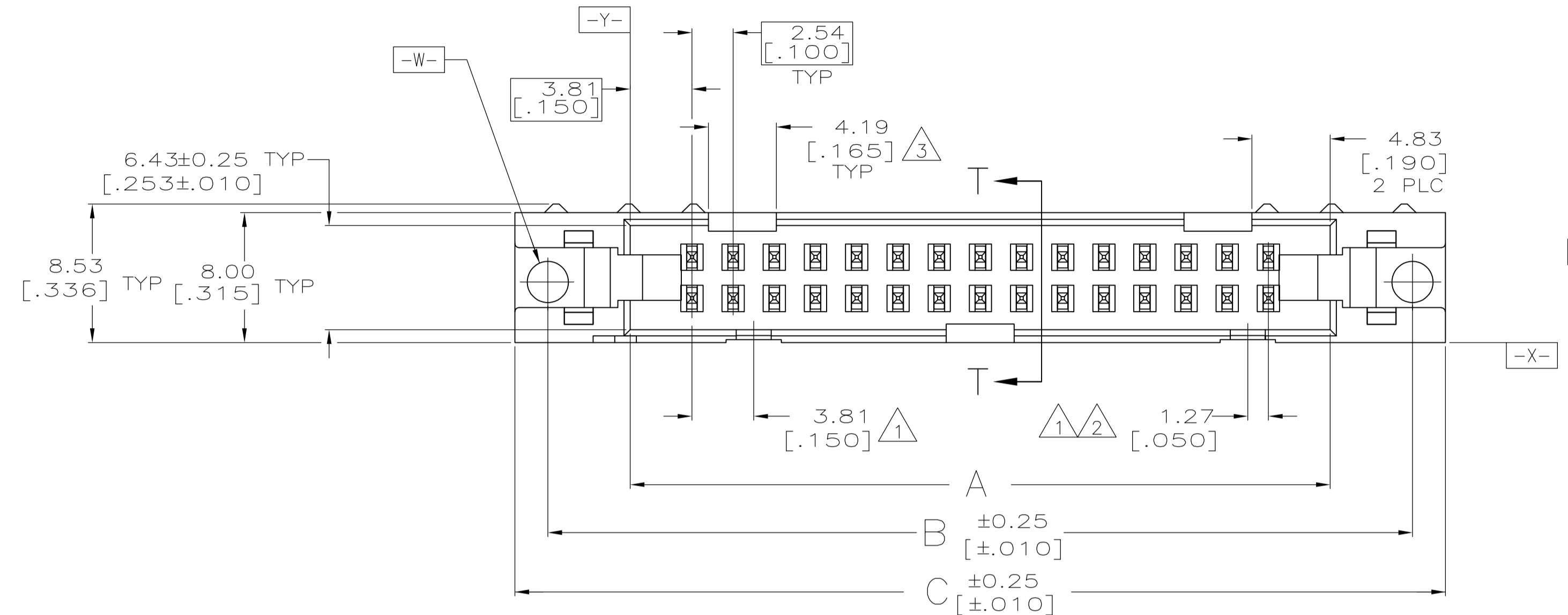
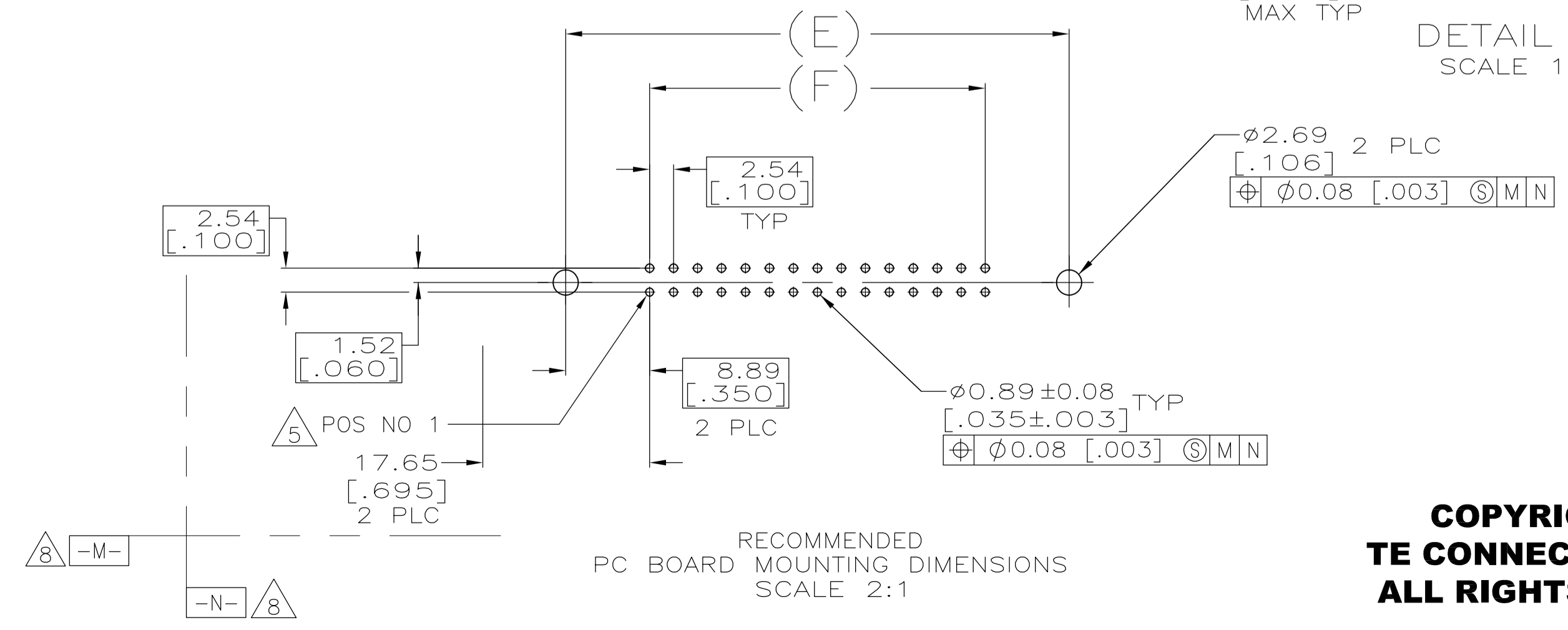
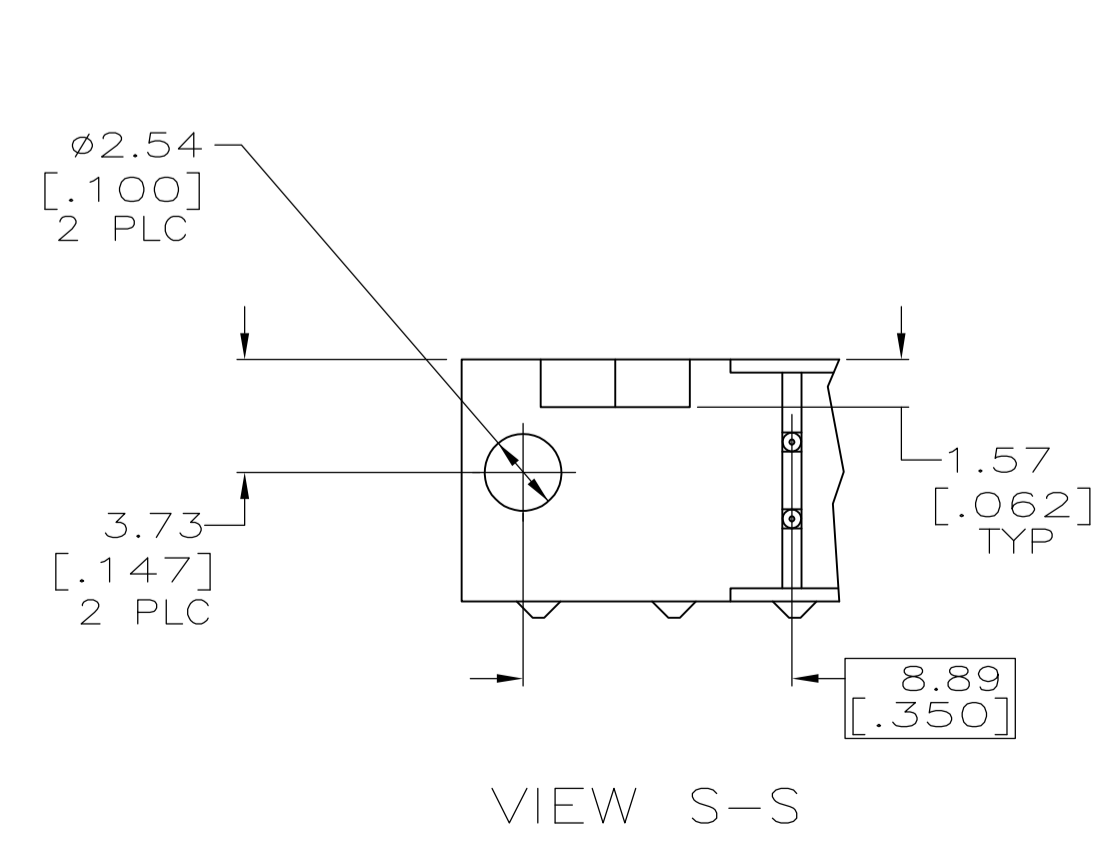
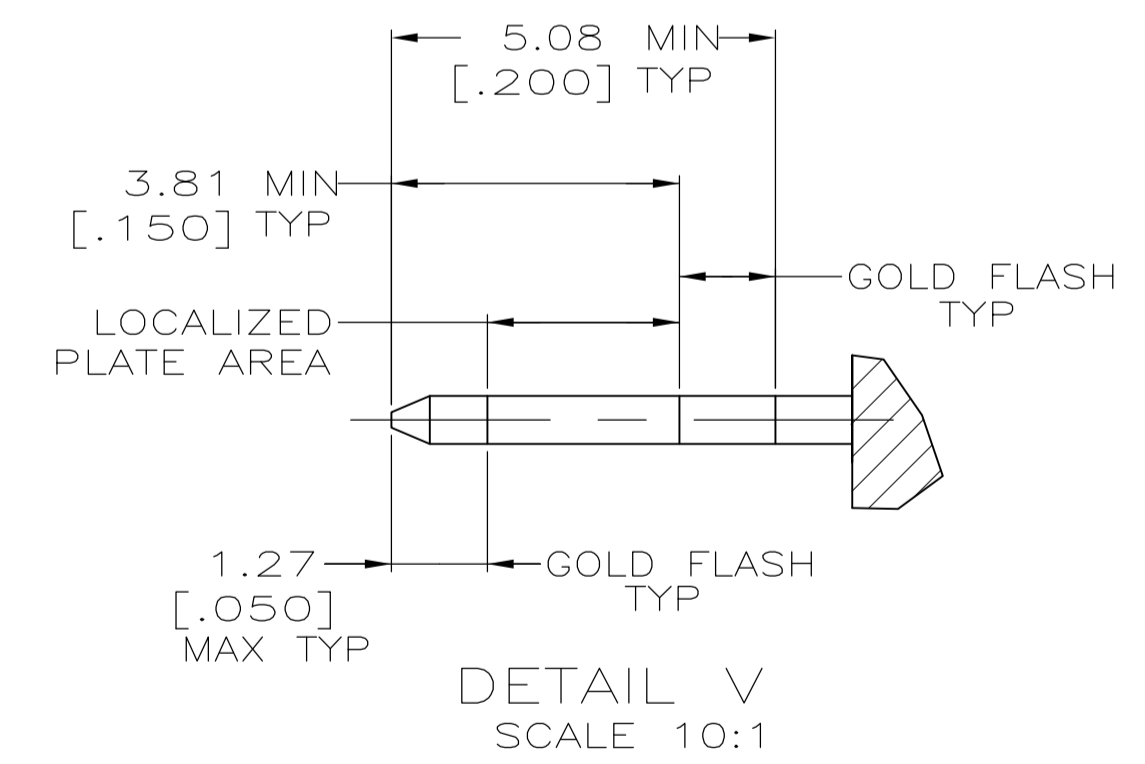
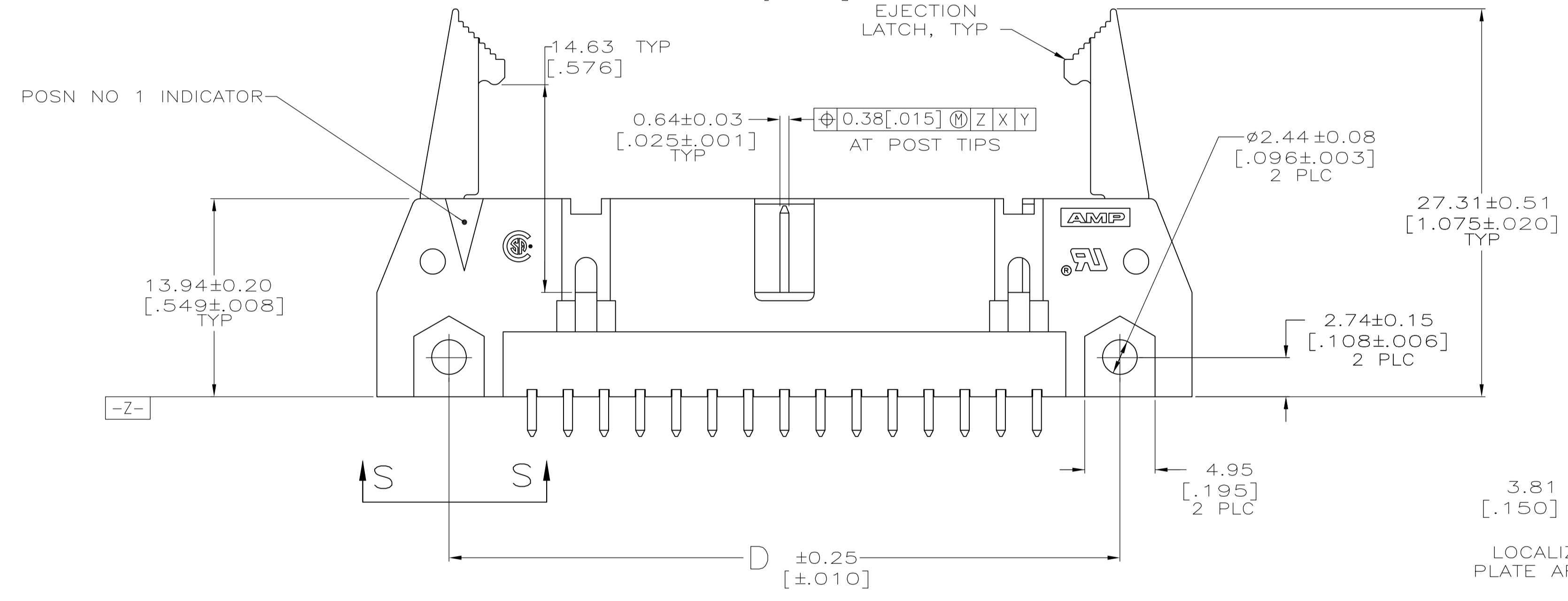


LOC		DIST		REVISIONS			
GP	00	REV	DATE	BY	CHK	APPV	
B1	REVISED PER ECO-11-004835		11MAR11	RK	HMR		

EJECTION LATCHES OMITTED IN THIS VIEW FOR CLARITY



- 1 COORDINATE DIMENSION APPLIES FROM BASIC LOCATION.
- 2 10 AND 14 POSITION SIZES CONTAIN ONLY ONE SLOT FOR SNAP-IN POLARIZER (MILITARY POLARIZATION) LOCATED AS SHOWN.
- 3 10 POSITION SIZES CONTAIN ONLY ONE SLOT FOR DUAL POLARIZATION, LOCATED AS SHOWN.
- 4 RECOMMENDED PRINTED CIRCUIT BOARD THICKNESS IS 1.57 [.062].
- 5 DISTANCE REQUIRED BY EJECTION LATCHES IN THE OPEN POSITION.
- 6 HOUSING & LATCHES: GLASS FILLED NYLON OR POLYESTER, UL94V-0 RATED, BLACK. POSTS: PHOS BRONZE OR BRASS.
- 7 POSTS: GOLD FLASH OVER PALLADIUM-NICKEL PLATE, 0.38µm[.000015] MIN TOTAL ON THE LOCALIZED PLATE AREA, 2.54µm[.000100] MIN TIN PLATE ON THE SOLDER-TAILS, 1.27µm[.000050] MIN NICKEL UNDERPLATE ON THE ENTIRE POST. -OR- 0.38µm[.000015] MIN GOLD PLATE ON THE LOCALIZED PLATE AREA, 2.54µm[.000100] MIN TIN PLATE ON THE SOLDER-TAILS, 1.27µm[.000050] MIN NICKEL UNDERPLATE ON THE ENTIRE POST.
- 8 DATUMS -M- & -N- TO BE ESTABLISHED BY CUSTOMER.



	78.74	96.52	90.42	100.58	96.52	86.36		
	[3.100]	[3.800]	[3.560]	[3.960]	[3.800]	[3.400]	64	1-5499922-2
	73.66	91.44	85.34	95.50	91.44	81.28		
	[2.900]	[3.600]	[3.360]	[3.760]	[3.600]	[3.200]	60	1-5499922-1
	60.96	78.74	72.64	82.80	78.74	68.58		
	[2.400]	[3.100]	[2.860]	[3.260]	[3.100]	[2.700]	50	1-5499922-0
	48.26	66.04	59.94	70.10	66.04	55.88		
	[1.900]	[2.600]	[2.360]	[2.760]	[2.600]	[2.200]	40	5499922-9
	40.64	58.42	52.32	62.48	58.42	48.26		
	[1.600]	[2.300]	[2.060]	[2.460]	[2.300]	[1.900]	34	5499922-8
	35.56	53.34	47.24	57.40	53.34	43.18		
	[1.400]	[2.100]	[1.860]	[2.260]	[2.100]	[1.700]	30	5499922-7
	30.48	48.26	42.16	52.32	48.26	38.10		
	[1.200]	[1.900]	[1.660]	[2.060]	[1.900]	[1.500]	26	5499922-6
	27.94	45.72	39.62	49.78	45.72	35.56		
	[1.100]	[1.800]	[1.560]	[1.960]	[1.800]	[1.400]	24	5499922-5
	22.86	40.64	34.54	44.70	40.64	30.48		
	[.900]	[1.600]	[1.360]	[1.760]	[1.600]	[1.200]	20	5499922-4
	17.78	35.56	29.46	39.62	35.56	25.40		
	[.700]	[1.400]	[1.160]	[1.560]	[1.400]	[1.000]	16	5499922-3
	15.24	33.02	26.92	37.08	33.02	22.86		
	[.600]	[1.300]	[1.060]	[1.460]	[1.300]	[.900]	14	5499922-2
	10.16	27.94	21.84	32.00	27.94	17.78		
	[.400]	[1.100]	[.860]	[1.260]	[1.100]	[.700]	10	5499922-1
	F	E	D	C	B	A	NO OF POSN	PART NUMBER

THIS DRAWING IS A CONTROLLED DOCUMENT.		DIN L VARELA - DOCKS 01-11-05		TE Connectivity	
DIMENSIONS: MM (INCHES)		TOLERANCES UNLESS OTHERWISE SPECIFIED:		NAME	
0 PLC ± .01		1 PLC ± .01		S. BOLASH 01-11-05	
2 PLC ± .015		3 PLC ± .015		M. WALMSLEY 01-11-05	
4 PLC ± .015		5 PLC ± .015		PRODUCT SPEC	
6 PLC ± .015		7 PLC ± .015		APPLICATION SPEC	
8 PLC ± .015		9 PLC ± .015		108-40018	
MATERIAL		FINISH		SIZE CASE CODE DRAWING NO	
6		7		A1 00779 5499922	
CUSTOMER DRAWING		SCALE 4:1		SHEET 1 OF 1 REV B1	

**COPYRIGHT 2005
TE CONNECTIVITY CORP
ALL RIGHTS RESERVED**